

Bathtubs TITAN

Free standing mineral marble bathtub



UV Resistant



Slip Resistant



Stain Resistant



Easy to Clean and Maintain



International Fire-spread Compliant



Product service

Models:

Bathtub TITAN OVAL

Bathtub TITAN LONG ROUND

Bathtub TITAN SQUARE

Bathtub TITAN SMALL

Bathtub TITAN MELODIA

Technical information

Material	Model	Dimension [cm]	Weight [kg]
mineral marble	Oval	170x85	150 kg
	Long round	170x75	165 kg
	Square	170x70	146 kg
	Small	153x75	100 kg
	Melodia	170x75	101 kg
Remark:	Bathtubs are delivered with: - mounted legs - pop-up bath waste system with slot overflow - click-clack outflow valve system - color: glossy white		

Declared properties

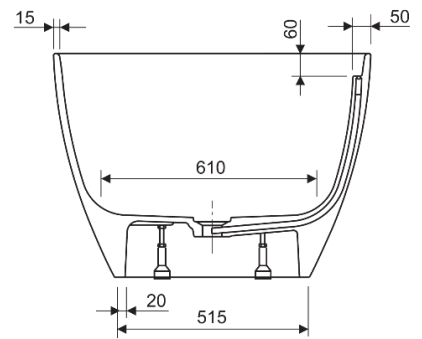
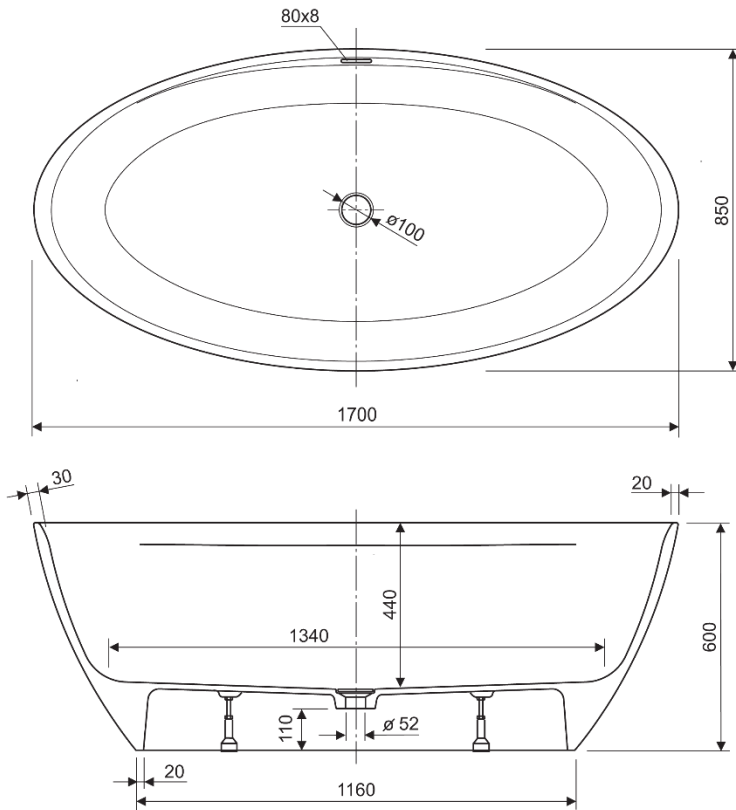
Tested properties	Requirement according to the European Standard	Confirmed level
- cleanability	EN 14516:2015 +A1:2018 – 6.2.1	Pass Class 2
- drainage of water	EN 14516:2015 +A1:2018 – 6.2.2	
- durability	EN 14516:2015 +A1:2018 – 6.3	

Analysis of possible risks according to EU Regulation 2023/988

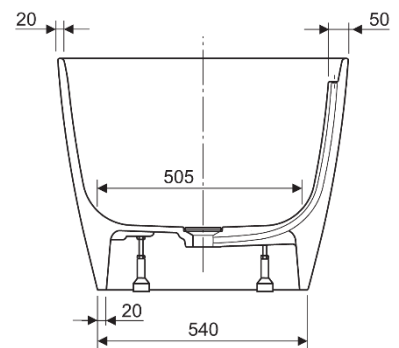
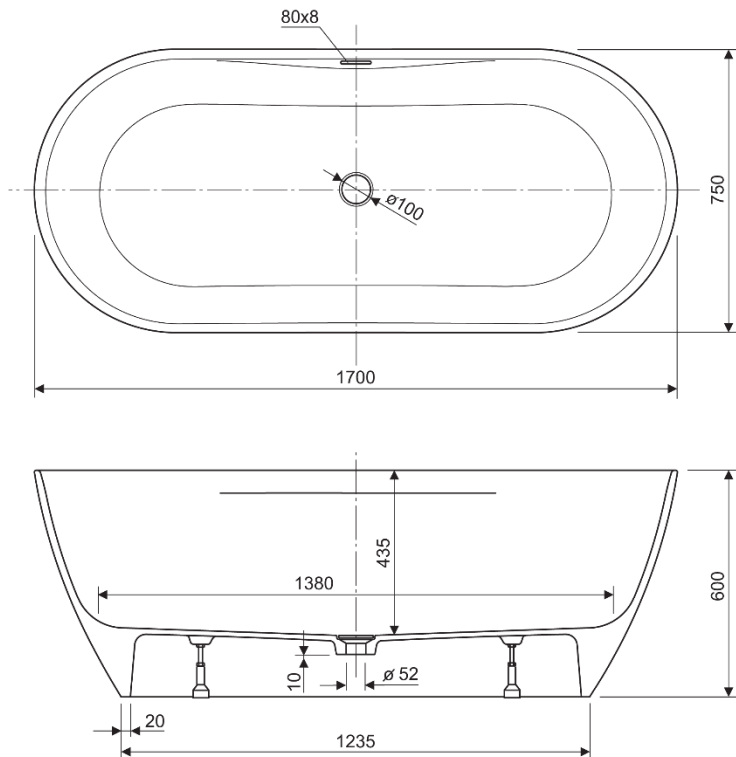
Material	Recognized risk	Risk elimination or reducing process	Tests conducted	Relevant EU norm
Mineral marble	Fulfilling the requirements of the Norm	Testing the product according to the requirements of the relevant standards.	Aquaestil Plus Laboratory test report No. TTK-240326 from 26.03.2024.	HRN EN 14516:2015 +A1:2018
	Hygiene and health risk	According to its composition, the product is intended for household use, but not for water consumption. Potential Health Effects Additives in this product do not present a respiration hazard unless the product is ground to a powder of respirable size and the dust is inhaled.	Aquaestil Plus – Material Data Sheet – Mineral Marble	-
	Slipperiness of the surface	When getting in and out of the bathtub, hold on to a solid object or a handrail near the bathtub. Finishing the roughness of the surface by grinding or anti-slip coating.	Institute IGH d.o.o. 72530-OI-617-619-24 from 15.07.2023. Slip resistance of the floor covering	HRN EN 16165:2021, addition C (DIN 51097:1992)
	Flammability	Do not leave smoldering or hot objects on the products as they may damage the surface. The surface material can be combusted only with difficulty.	Aquaestil Plus – Material Data Sheet – Mineral Marble	-

Technical drawing according to the model:

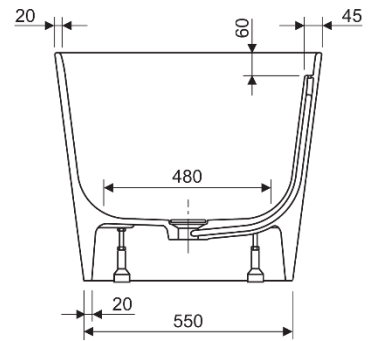
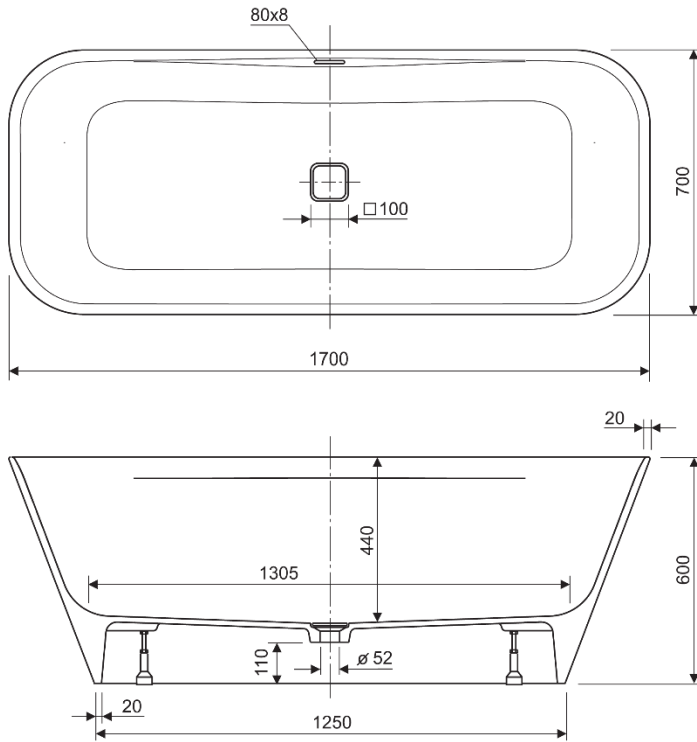
TITAN OVAL



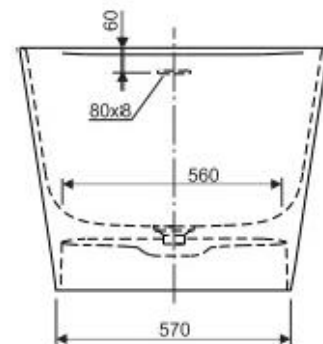
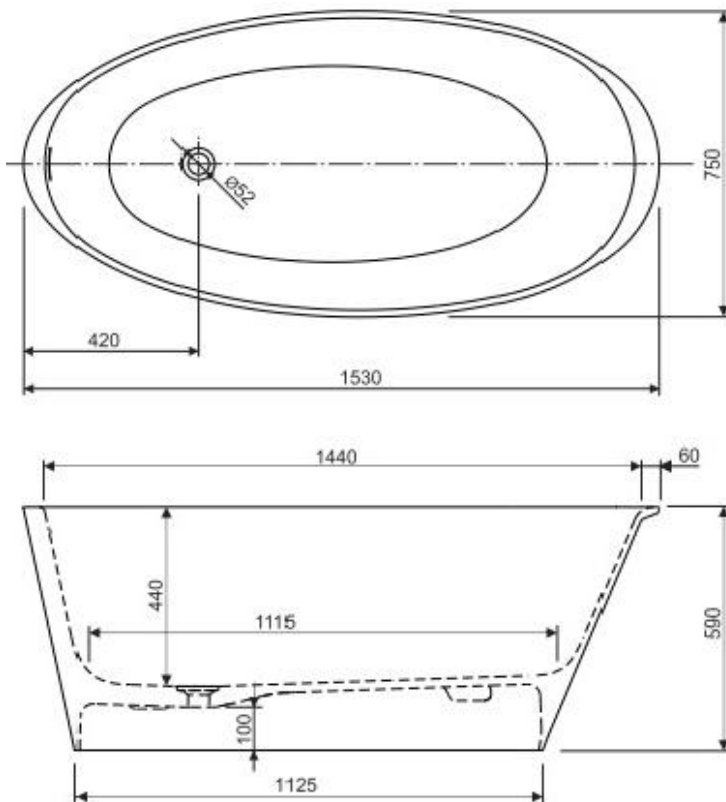
TITAN LONG ROUND



TITAN SQUARE



TITAN SMALL



TITAN MELODIA

